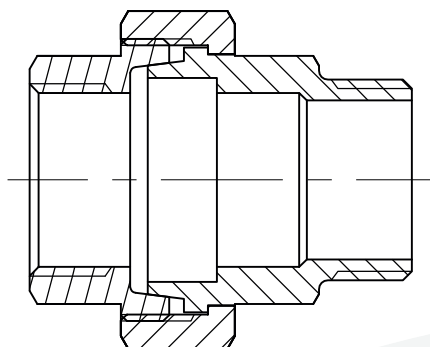


BOCCHETTONE M.F. TENUTA CONICA

NORMATIVA: BSP 150 LBS



MISURA	DN mm
1/8"	6
1/4"	8
3/8"	10
1/2"	15
3/4"	20
1"	25
1"1/4	32
1"1/2	40
2"	50
2"1/2	65
3"	80
4"	100